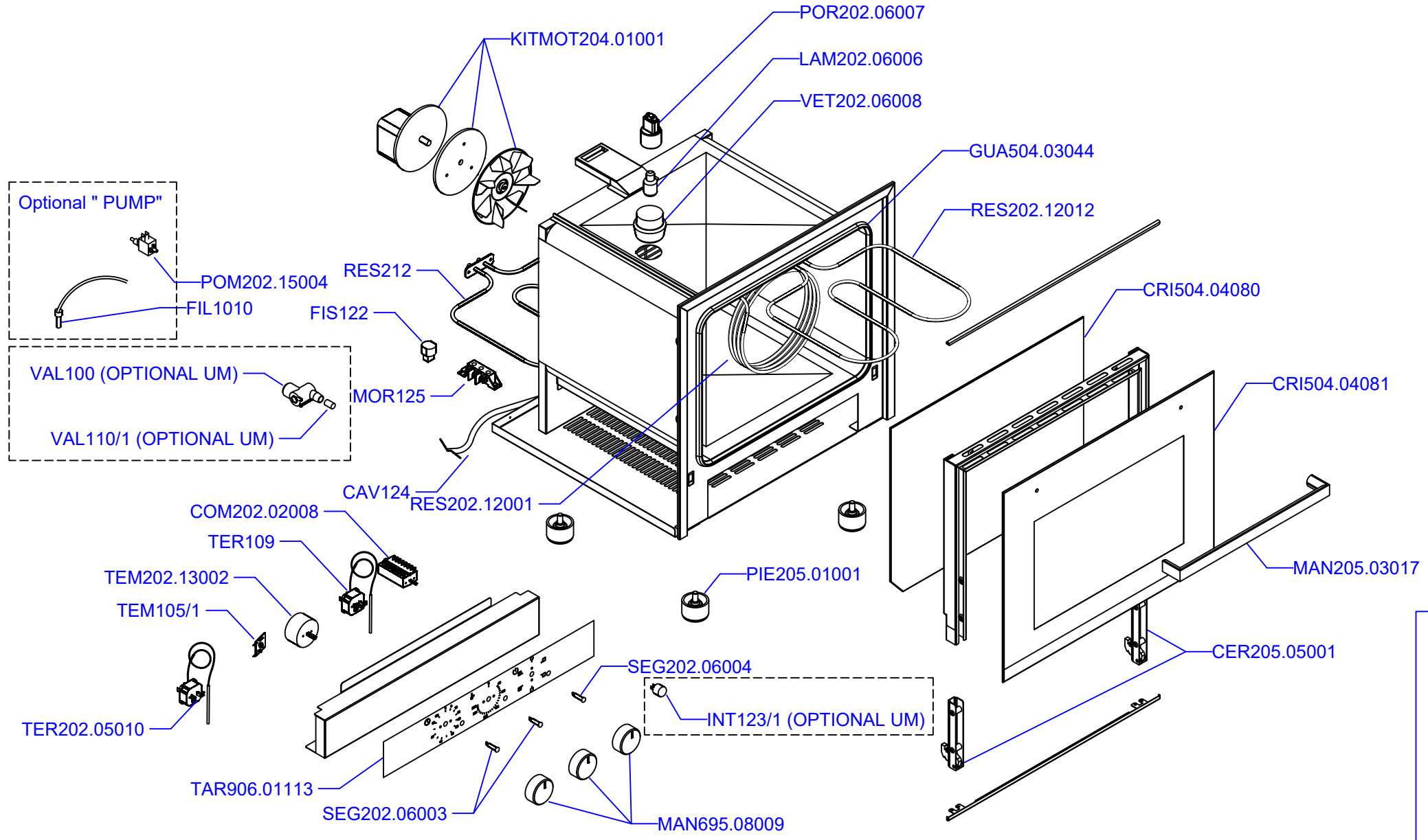


BRIO X MULTI





## IT

## GB

## FR

## DE

## ES

CAV124  
CER205.05001  
COM202.02008  
CRI504.04080  
CRI504.04081  
FIL1010  
FIS122  
GUA504.03044  
INT123/1  
LAM202.06006  
MAN205.03017  
MAN695.08009  
MOR125  
KITMOT204.01001  
PIE205.01001  
POM202.15004  
POR202.06007  
RES202.12001  
RES202.12012  
RES212  
SEG202.06003  
SEG202.06004  
TAR906.01113  
TEM105/1  
TEM202.13002  
TER109  
TER202.05010  
VAL100  
VAL110/1  
VET202.06008

CAVO DI ALIMENTAZIONE  
CERNIERA  
COMMUTATORE  
CRISTALLO INTERNO  
CRISTALLO ESTERNO  
FILTRO  
PASSACAVO  
GUARNIZIONE PORTA  
PULSANTE UMIDIFICATORE  
LAMPADA  
MANIGLIA  
MANOPOLA  
MORSETTIERA ALIMENTAZIONE  
MOTORE  
PIEDINO  
POMPA  
PORTALAMPADA  
RESISTENZA CIRCOLARE  
RESISTENZA CIELO  
RESISTENZA SUOLO  
SEGNALATORE LUMINOSO  
SEGNALATORE LUMINOSO  
TARGA SERIGRAFATA  
AVVISATORE ACUSTICO  
TEMPORIZZATORE  
THERMOSTATO  
THERMOSTATO SICUREZZA  
ELETTROVALVOLA  
RIDUTTORE DI PORTATA ROSSO  
VETRO PORTALAMPADA

SUPPLY CABLE  
HINGE  
COMMUTATOR  
INTERNAL PLATE GLASS  
EXTERNAL PLATE GLASS  
FILTER  
CABLE GUIDE  
DOOR SEAL  
HUMIDIFICATION BUTTON  
LAMP  
HANDLE  
KNOB  
SUPPLY TERMINAL BOARD  
MOTOR  
FOOT  
PUMP  
LAMPHOLDER  
CIRCULAR RESISTANCE  
CEILING RESISTANCE  
FLOOR RESISTANCE  
LIGHT INDICATOR  
LIGHT INDICATOR  
SCREEN PRINTED PLATE  
BUZZER  
TIMER  
THERMOSTAT  
SAFETY THERMOSTAT  
SOLENOID VALVE  
RED FLOW-RATE REDUCTION  
LIGHT-HOLDING GLASS

CÂBLE D'ALIMENTATION  
CHARNIÈRE  
COMMUTATEUR  
VITRE INTERNE  
VITRE EXTERNE  
FILTRE  
PASSE CABLE  
JOINT PORTE  
BOUON D' HUMIDIFICATION  
LAMPE  
POIGNÉE  
MANETTE  
BORNE ALIMENTATION  
MOTEUR  
PIED  
POMPE  
PORTE-LAMPE  
RÉSISTANCE CIRCULAIRE  
RÉSISTANCE CIEL  
RÉSISTANCE SOLE  
SIGNAL LUMINEUX  
SIGNAL LUMINEUX  
PLAQUE SERIGRAPHIÉE  
AVVERTISSEUR ACOUSTIQUE  
TEMPORISATEUR  
THERMOSTAT  
THERMOSTAT DE SÉCURITÉ  
ECTROSOUPAPE  
RÉDUCTEUR DE DÉBIT ROUGE  
VERRE PORTE-LAMPE

SPEISEKABLE  
SCHARNIER  
UMSCHALTER  
INNENGLAS  
AUSSENGLAS  
FILTER  
KABEL FÜHRUNG  
DICHTUNG  
BEFEUCHTUNGSTASTE  
LAMPEN  
GRIFF  
BEDIENKNOPF  
VERSORGUNGSKLEMMENLEISTE  
MOTOR  
FUSS  
PUMPE  
LAMPENFASSUNG  
KREISFÖRMIGER WIDERSTAND  
DECKENWIDERSTAND  
SOHLENWIDERSTAND  
LEUCHTMELDER  
LEUCHTMELDER  
SIBDRUCKSCHILD  
SUMMER  
ZEITSCHALTUHR  
THERMOSTAT  
SICHERHEITSTHERMOSTAT  
MAGNETVENTIL  
STROMVENTIL ROT  
LAMPENFASSUNGSGLAS

CABLE DE ALIMENTACIÓN  
BISAGRA  
CONMUTADOR  
CRISTAL INTERIOR  
CRISTAL EXTERIOR  
FILTRO  
PASA CABLE  
BURLETE PUERTA  
BOTÓN DE LA HUMECTACIÓN  
LAMPARA  
MANIJA  
MANOPLA  
CAJA DE BORNES ALIMENTACIÓN  
MOTOR  
PATA  
BOMBA  
PORTA-LÁMPARA  
RESISTENCIA CIRCULAR  
RESISTENCIA CIELO  
RESISTENCIA PISO  
SEÑAL LUMINOSA  
SEÑAL LUMINOSA  
PLACA SERIGRAFADA  
AVISO ACÚSTICO  
TEMPORIZADOR  
THERMOSTATO  
THERMOSTATO DE SEGURIDAD  
ELECTROVÁLVULA  
REDUCTOR DE ALCANCE  
CRISTAL PORTA-LÁMPARA